

# Universal Venturi Valve Module

*Data Sheet*



Venturi Valve with Universal Valve Module



Universal Valve Module

Triatek's Universal Valve Module allows Triatek's Venturi Valves to be truly universal. Universal Venturi Valves are ideal for renovations or new installations in which controllers from multiple vendors are being employed.

This highly adaptable and interchangeable valve module accepts any 0-10VDC or MODBUS signal and converts it to CFM, making it compatible with virtually all third party controllers on the market.

The Universal Valve Module can be ordered with any Triatek Venturi Valve. The following pages include the Universal Valve Module Wiring Diagram and a typical Lab System Diagram utilizing a Universal Venturi Valve.

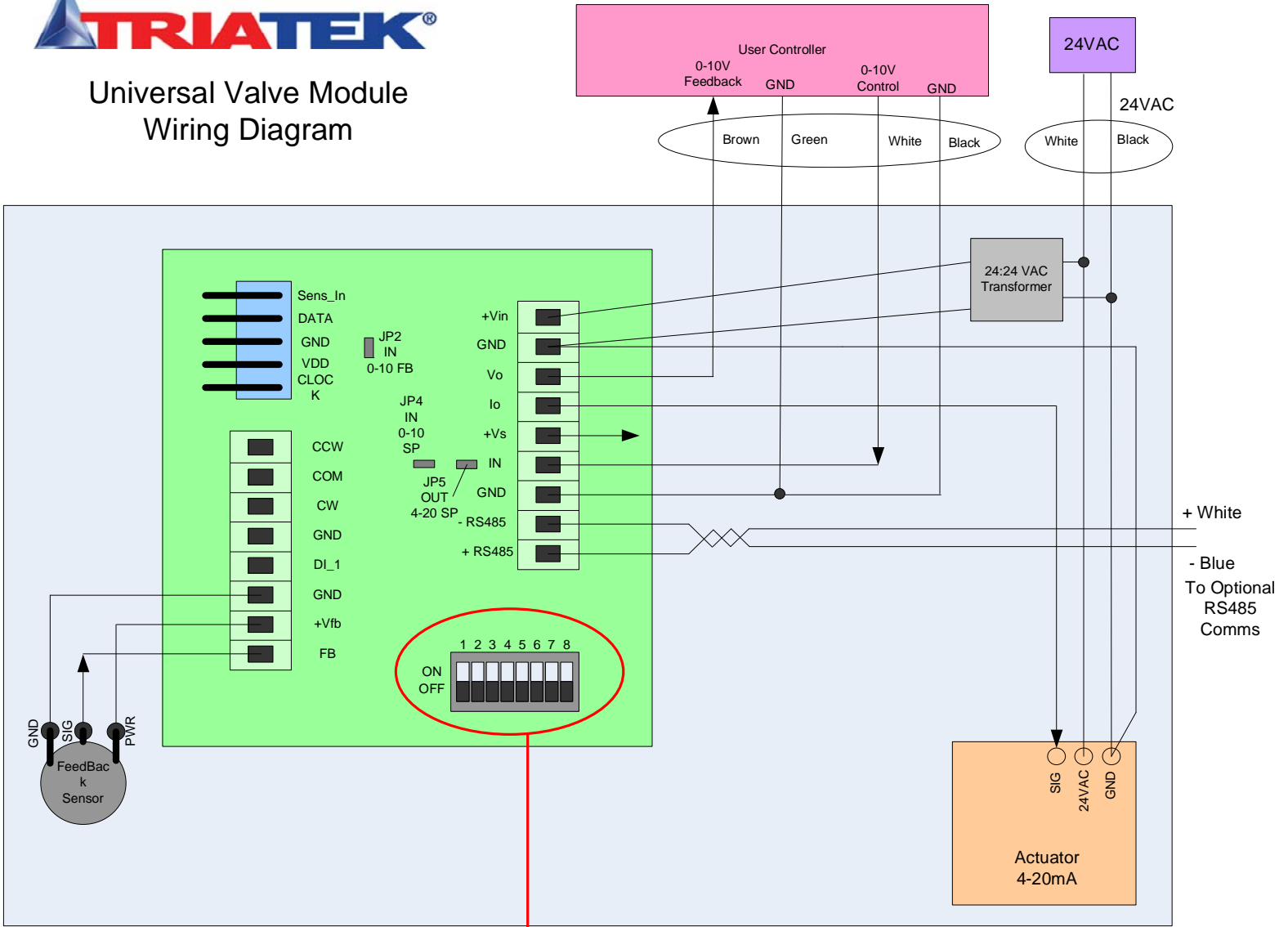
## **Part Number Guide**

### **UVM-1000**

Product specifications are subject to change without notice.  
Triatek is a registered trademark of Triatek LLC. 062812



# Universal Valve Module Wiring Diagram



Universal Valve Module Enclosure

ON OFF

8		8	Terminate	Open	RS485 Line Terminate
7		7	CFM	Position	Output = Position/CFM
6		6	CFM	Position	Input = Position/CFM
5		5	Reverse	Normal	Actuator Reverse/Normal
4		1-4	+8	0	Unit Hardware Address 0 - 15
3			+4	0	
2			+2	0	
1			+1	0	

ON OFF

If Enabled

DIP Switch Functions



# Typical System Diagram

Lab Solution using  
Universal Valve

